

Forme · Formes · Shapes · Formen · Formas



CHROME



RX2

CHROME



Ø 30 mm.

Ø 8 mm.

400 mm.

RX2

h

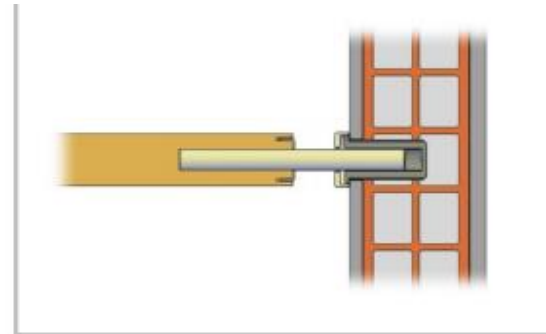
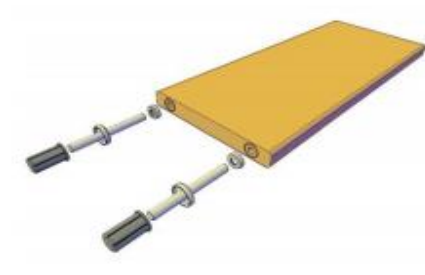
50 mm.

400 Kg/mq

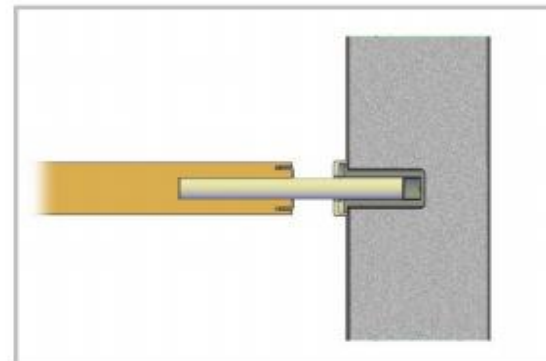
900 mm.

Max. 1000 mm.

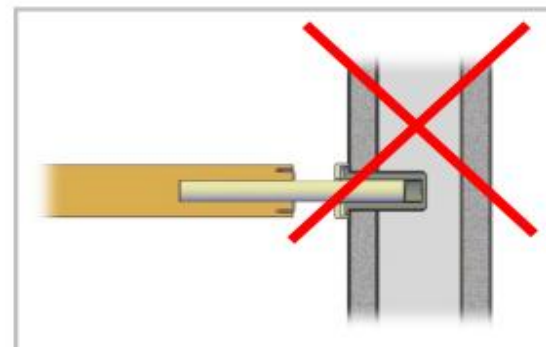
G10	G10	G11	G12	G13	G14	G15	G16	G17
	h	h	h	h	h	h	h	h
	1925	2100	2275	2450	2625	2800	2975	3150
	2325	2540	2755	2970	3185	3400	3615	3830



Tramezza
Partition wall
Cloison
Nicht Tragend Wand



Portante
Bearing Wall
Mur portant
Hauptmauer



~~Cartongesso
Plaster board
Placoplâtre
Gipsplatte~~

OPTIONAL

