



MISURE DI SERIE, STANDARD MEASUREMENTS,

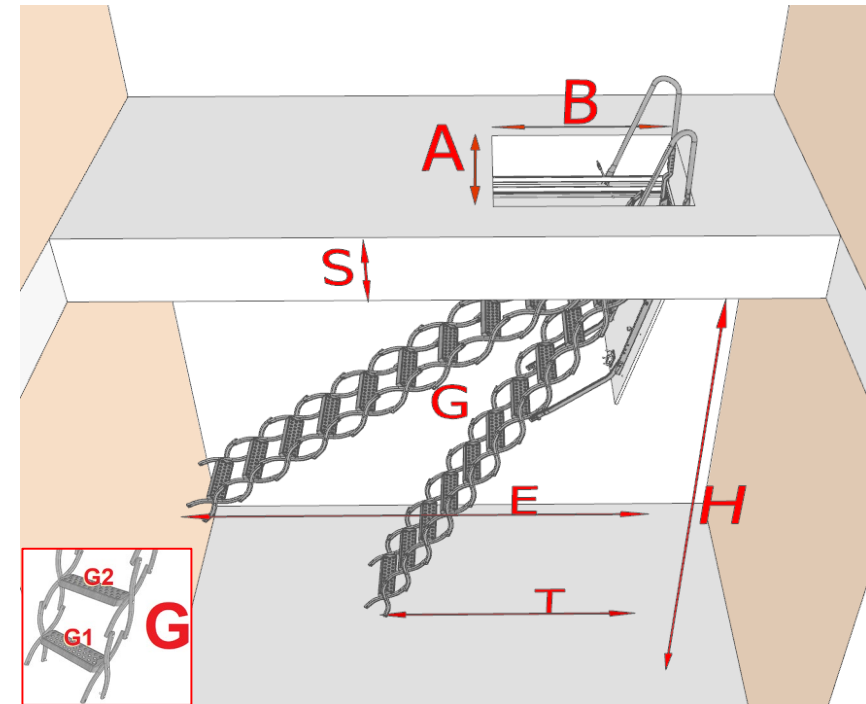
BxA	G	H	T	E	S
70 x 50 80 x 50 90 x 50 100 x 60 90 x 70 100 x 70 120 x 60 120 x 70	9	225	123	134	standard max 25 cm
		250	104		
90 x 70 100 x 70 120 x 60 120 x 70	10	251	135	146	
		275	114		
90 x 70 100 x 70 120 x 60 120 x 70	11	276	148	158	
		300	120		
90 x 70 100 x 70 120 x 60 120 x 70	12	301	157	170	
		325	129		
100 x 70 120 x 60 120 x 70	13	326	168	182	
		350	137		

VALORI IN CENTIMETRI, VALUES IN CENTIMETERS, LES VALEURS EN CENTIMETRES

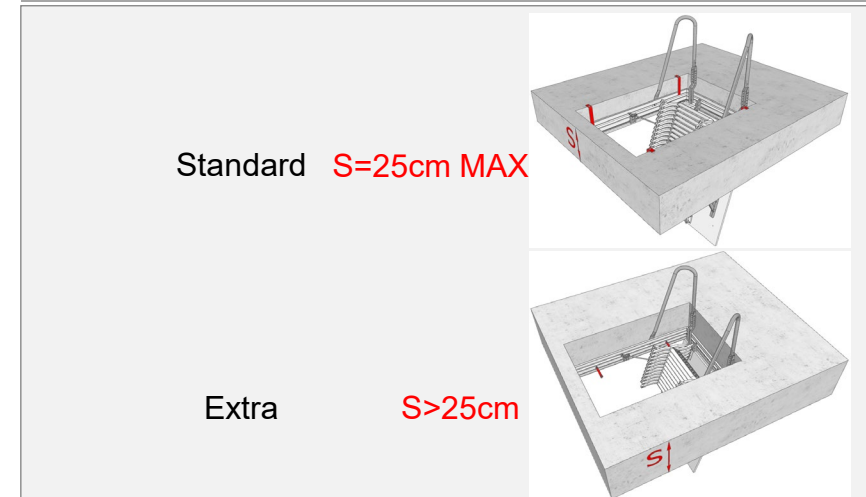
MISURE EXTRA, EXTRA MEASUREMENTS,

BxA	G	H	S
MIN 70 x 50	9/11	MAX 300	standard max 25 cm
MAX 150 x 90	10/13	MIN 310	
		MAX 350	

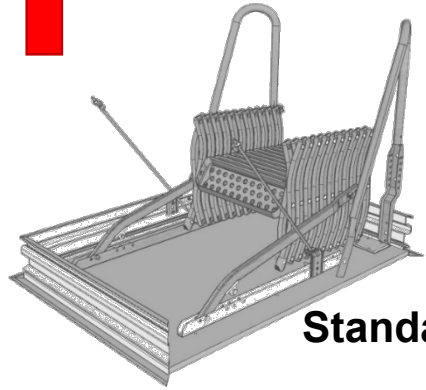
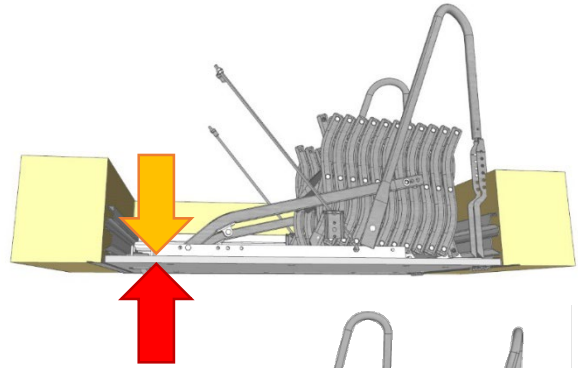
VALORI IN CENTIMETRI, VALUES IN CENTIMETERS, LES VALEURS EN CENTIMETRES



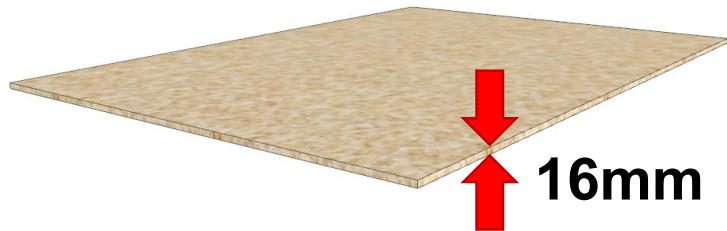
SOLETTA (S), SLAB, SALLE



STANDARD

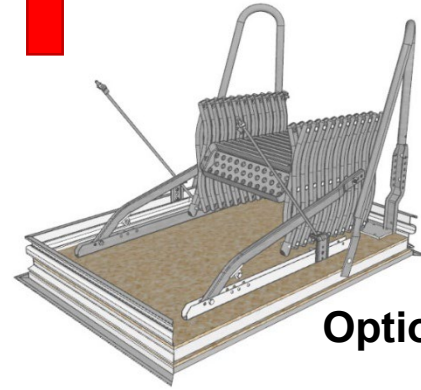
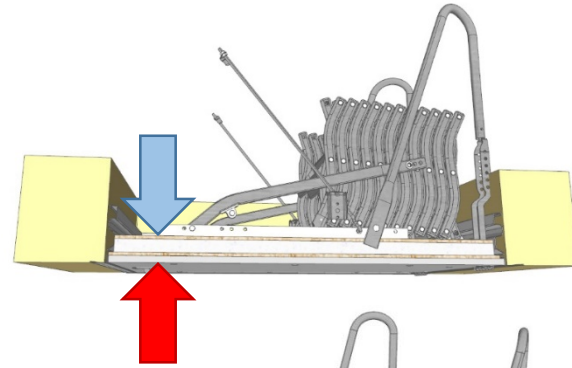


Standard

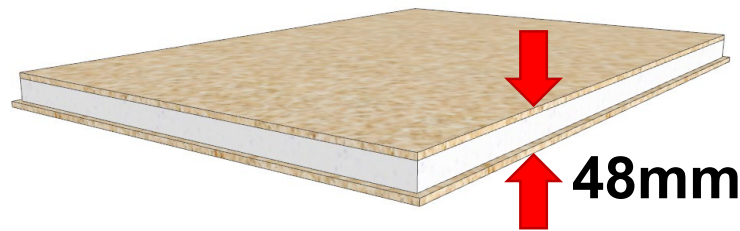


16mm

OPTIONAL



Optional



48mm

Pannello coibentato

Panneau d'isolation

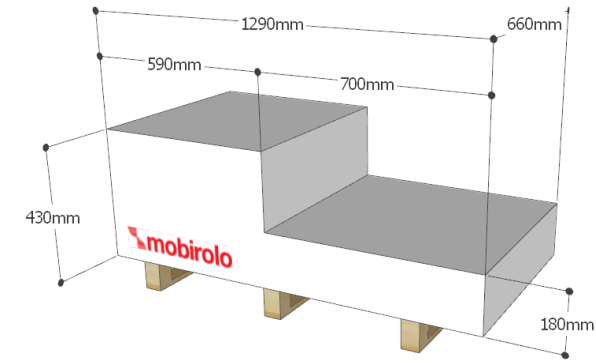
Insulated panel

Isolierte Paneel

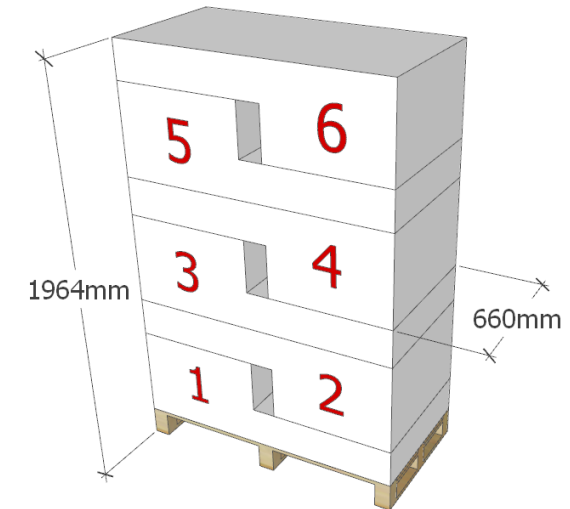
Panel aislante

Up= 0.86 W/(m²*K)

IMBALLI E PESO



45 ÷ 55 Kg



N° 6 MAX

270 ÷ 330 Kg



MISURE DI SERIE, STANDARD MEASUREMENTS,

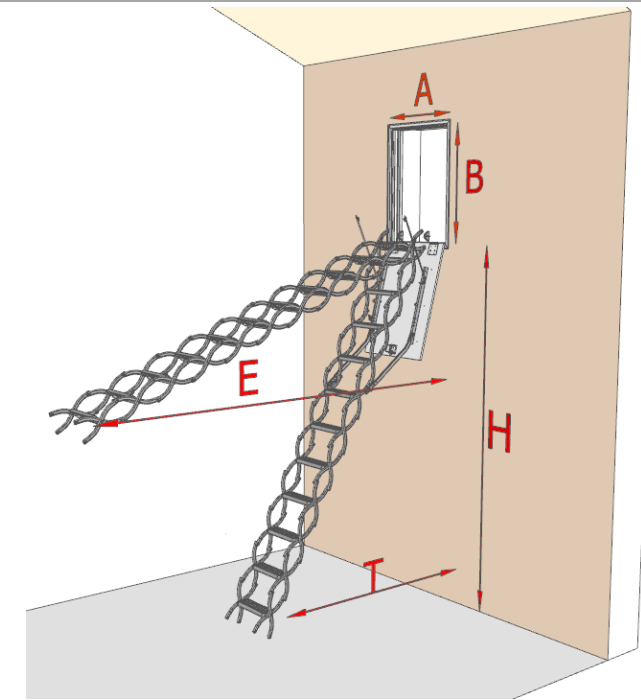
BxA	G	H	T	E
130 x 70	9	225	123	134
		250	104	
	10	251	135	146
		275	114	
	11	276	148	158
		300	120	
12	301	157	170	
	325	129		
13	326	168	182	
	350	137		

VALORI IN CENTIMETRI, VALUES IN CENTIMETERS, LES VALEURS EN CENTIMETRES

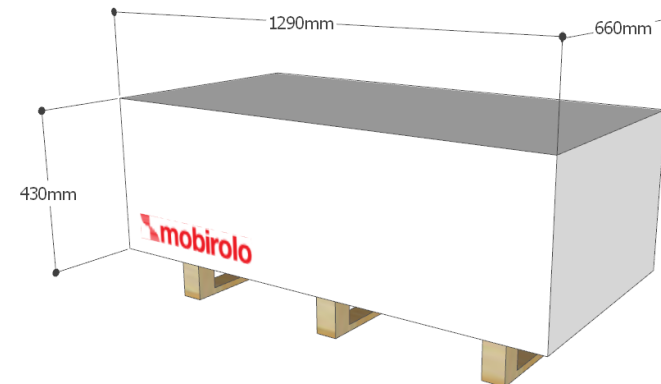
MISURE EXTRA, EXTRA MEASUREMENTS,

BxA	G	H
MIN 80 x 70	9/11	MAX 300
MAX 190 x 90	10/13	MIN 310
		MAX 350

VALORI IN CENTIMETRI, VALUES IN CENTIMETERS, LES VALEURS EN CENTIMETRES



IMBALLO E PESO



55 ÷ 78 Kg